

! Contact our sales office for delivery dates and prices as this is a special model.

Specialized Product **P.G.** Point to Group information

EX600 Series Analog Input Unit

EX600-AX□-X3

Features

- Up to 4 channels can be connected with one unit.
- Compatible with CC-Link/CC-Link IE Field*1 and EtherNet/IP™*2
- IP67 compliant (Manifold assembly)

*1 EX600-SCF1-X60

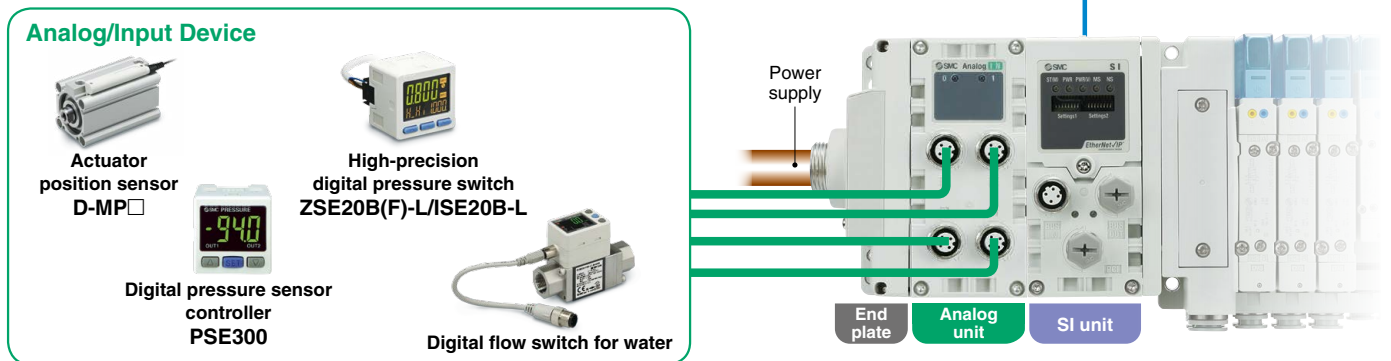
*2 Only the 2-port specifications (EX600-SEN3, EX600-SEN4) are supported.



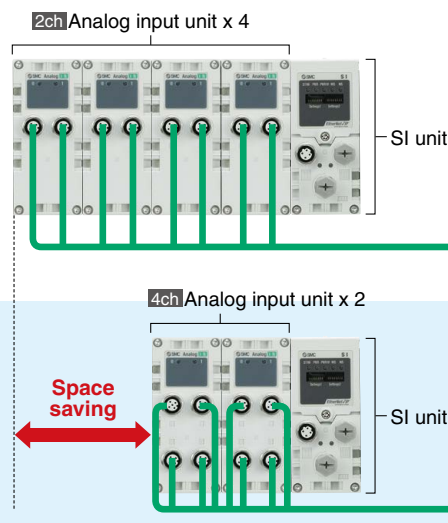
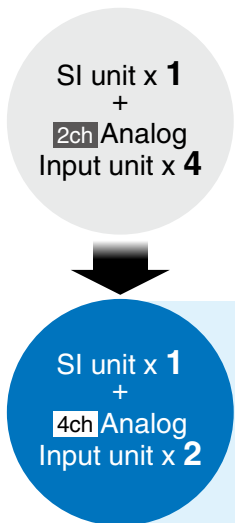
■ Trademark
EtherNet/IP™ is a trademark of ODVA.



CC-Link CC-Link IE Field EtherNet/IP™



Application Example Space saving



Actuator position sensor D-MP□



Caution

To ensure the safest possible operation of this product, please be sure to thoroughly read the "Safety Instructions" in our "Best Pneumatics" catalog before use.